

MNT-JUNCTIONBOX-7-B

Outdoor Junction Box

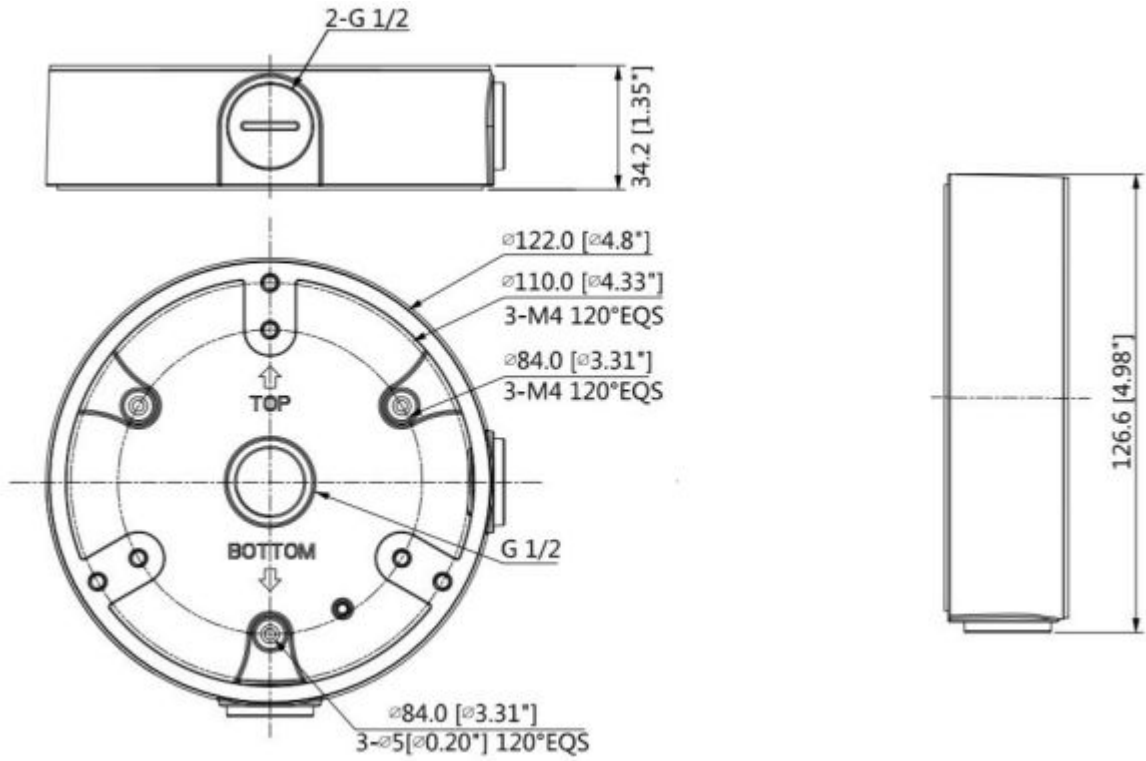


- Sleek, Black-painted aesthetic design
- Material: Aluminum
- Medium-sized 3 hole pattern dome cameras

Technical Specification

Model	MNT-JUNCTIONBOX-7-B
Physical Properties	
Material	Aluminum
Dimension(W xH xD)	4.80"x1.35" (122.0mmx34.2mm)
Weight	0.53lb (0.24kg)
Load Bearing	2.2lb (1kg)
Color	Black
Operating Temperature	-40°F~140°F (40°C~60°C)
Humidity	0~90% RH
Inch Thread	M20(G1/2")
Applicable Models:	Medium-sized 3 hole pattern dome cameras.

Dimensions (mm/in)



Application

